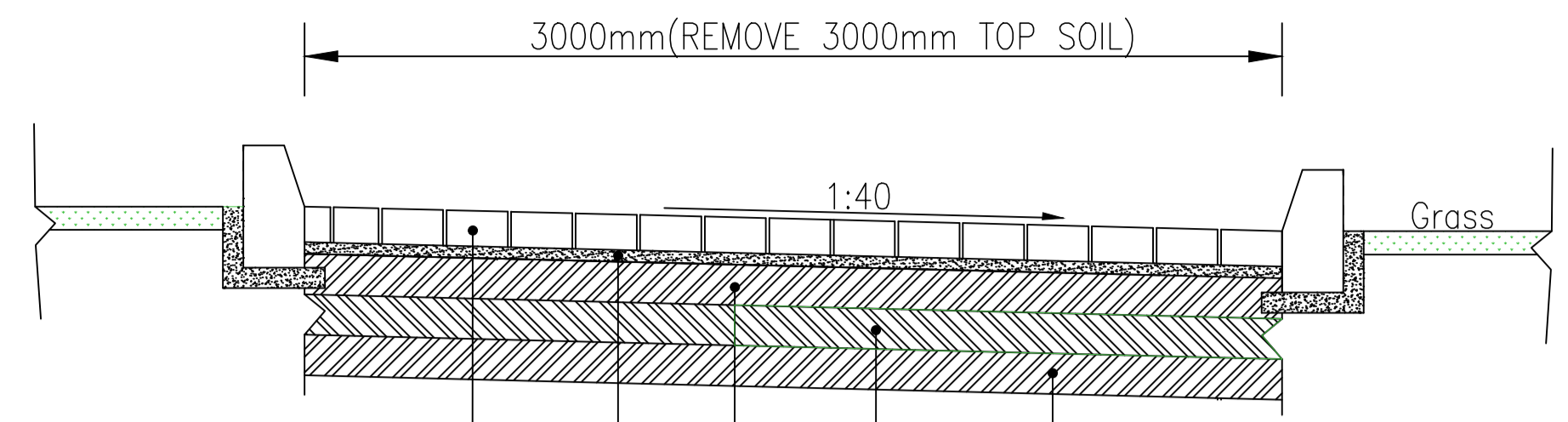
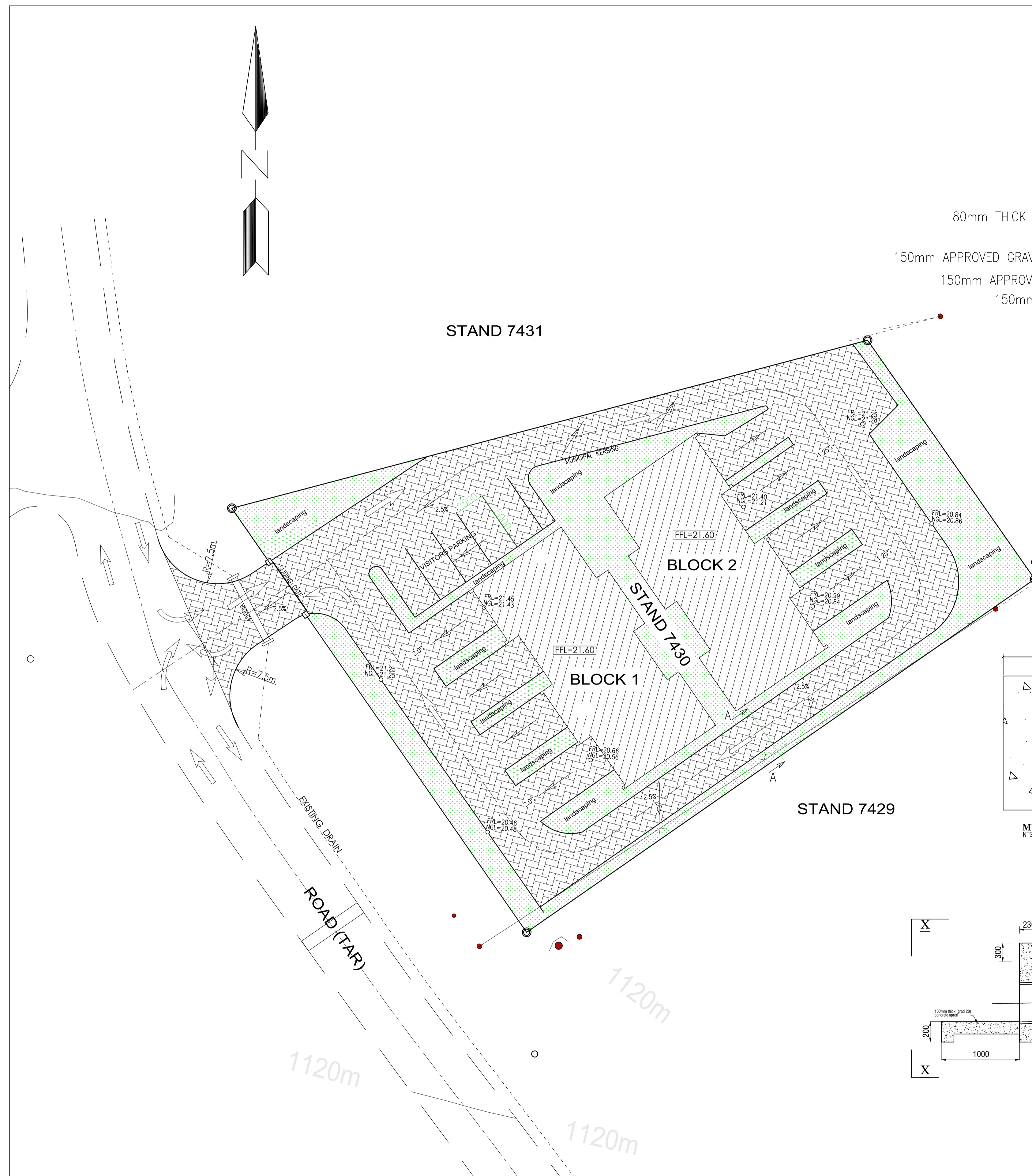


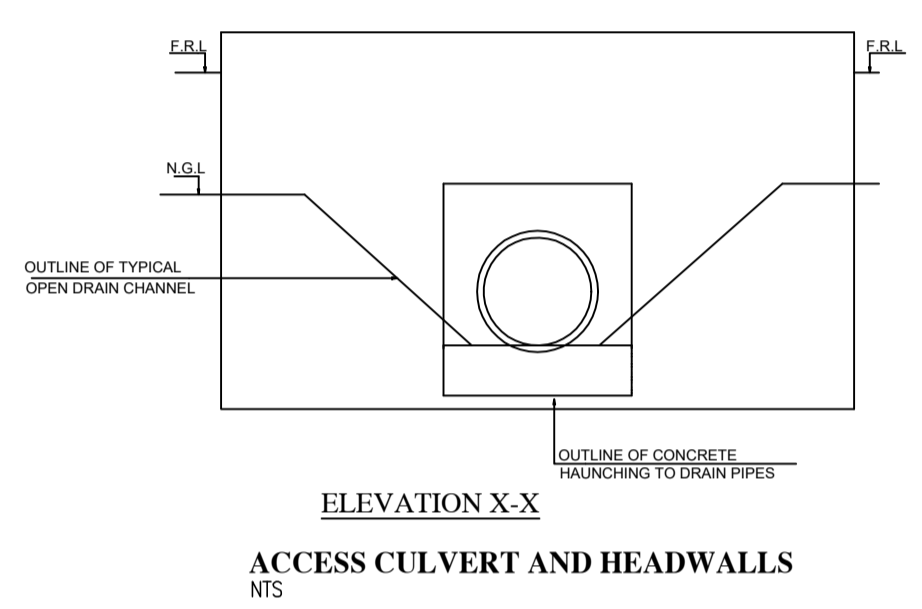


STAND 7431

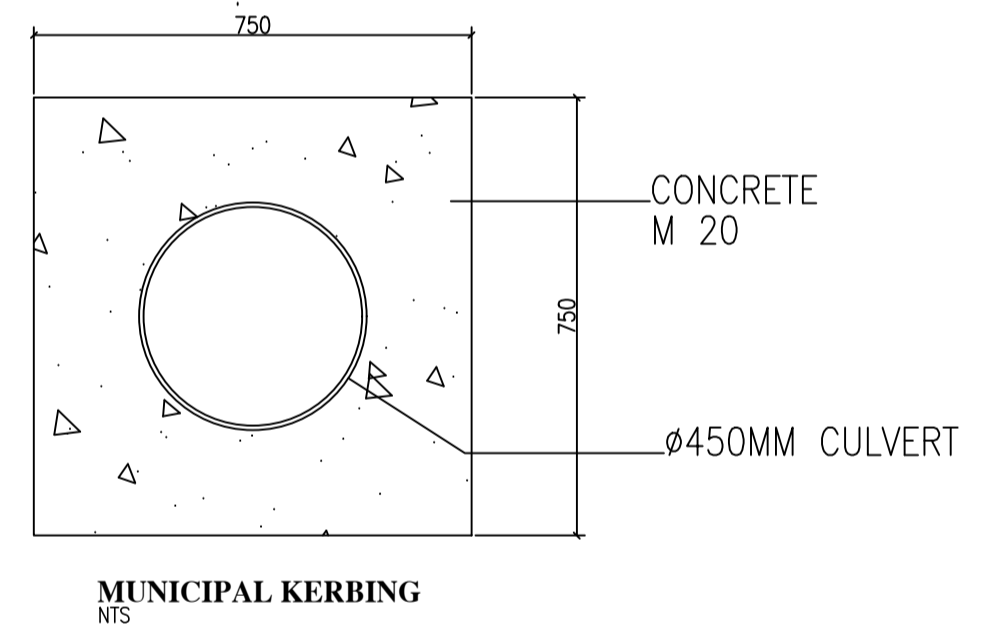


80mm THICK HEAVY DUTY INTERLOCKING PAVERS ON  
50mm QUARRY DUST  
150mm APPROVED GRAVEL BASE 1 CLASS 2.6 COMPACTED TO 98% H.C.E  
150mm APPROVED GRAVEL BASE 2 CLASS 3.6 COMPACTED TO 96% H.C.E  
150mm INSITU SUBGRADE MATERIAL SCARIFIED & COMPACTED TO 93% H.C.E

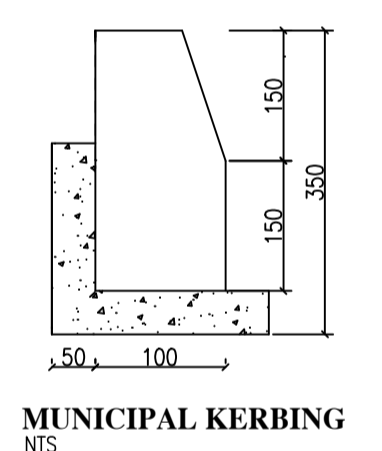
SECTION A-A



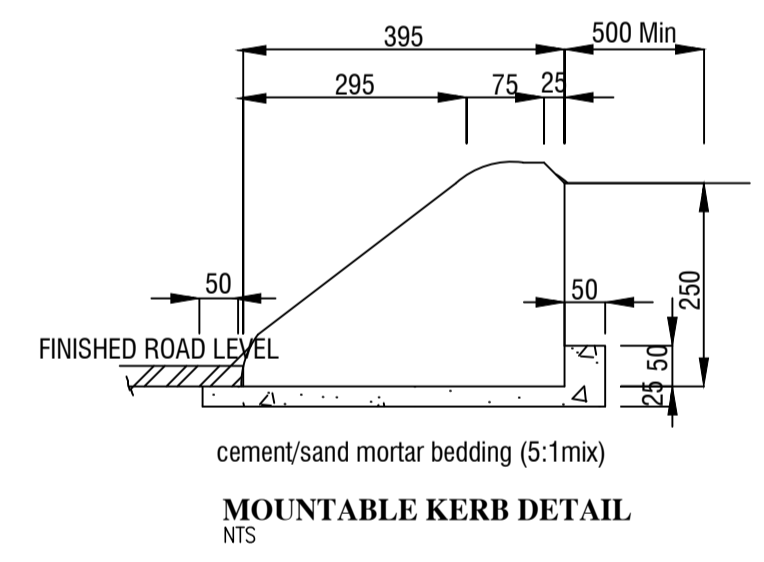
ELEVATION X-X  
ACCESS CULVERT AND HEADWALLS  
NTS



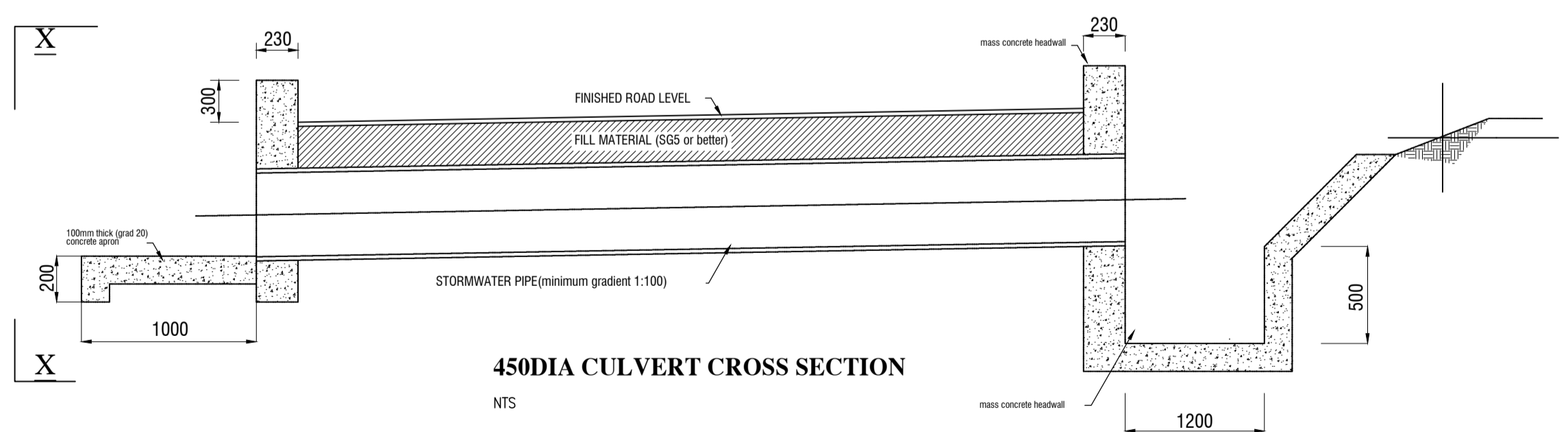
MUNICIPAL KERBING  
NTS



MUNICIPAL KERBING  
NTS



MOUNTABLE KERB DETAIL  
NTS



450DIA CULVERT CROSS SECTION  
NTS

NOTES:

AMENDMENT	Description




Ministry of Local Government,  
Public Works and National Housing  
P.O. Box CY7755, Causeway  
Zimbabwe

Arch Eng	A.S	Director Eng	H.Hungwe
Designed	L.M	Branch Head	E.N
Drawn	L.M	Scale	1:180
Checked	E.M	Date	July 2021
Telephone 04 700811			

Ministry	MINISTRY OF FINANCE	Centre	MUTARE
Title	FORBES BORBER POST STAFF COTTAGES		
Description	ROAD AND STORMWATER LAYOUT FOR STAND 7430		
G.P. No		Proj	