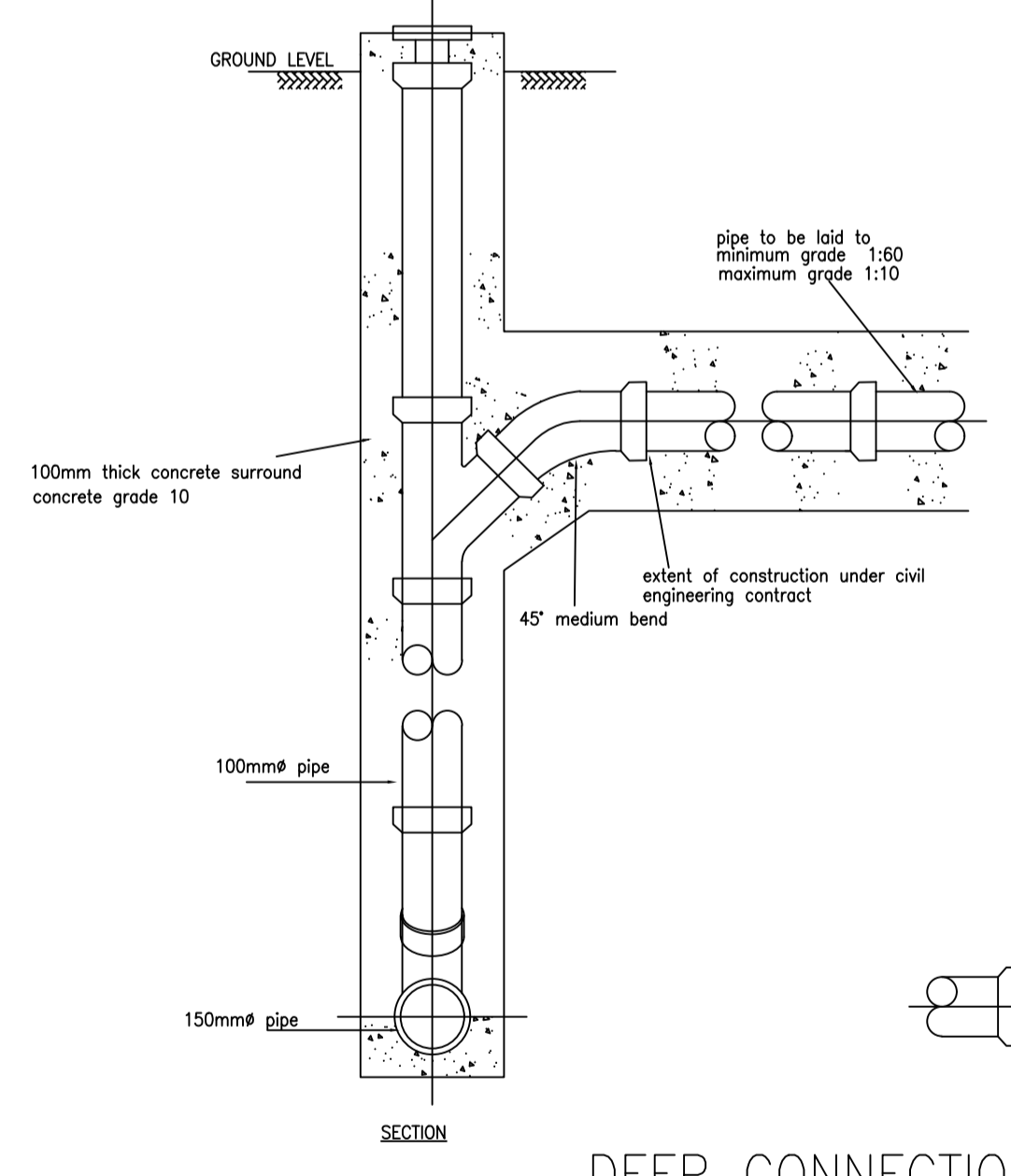
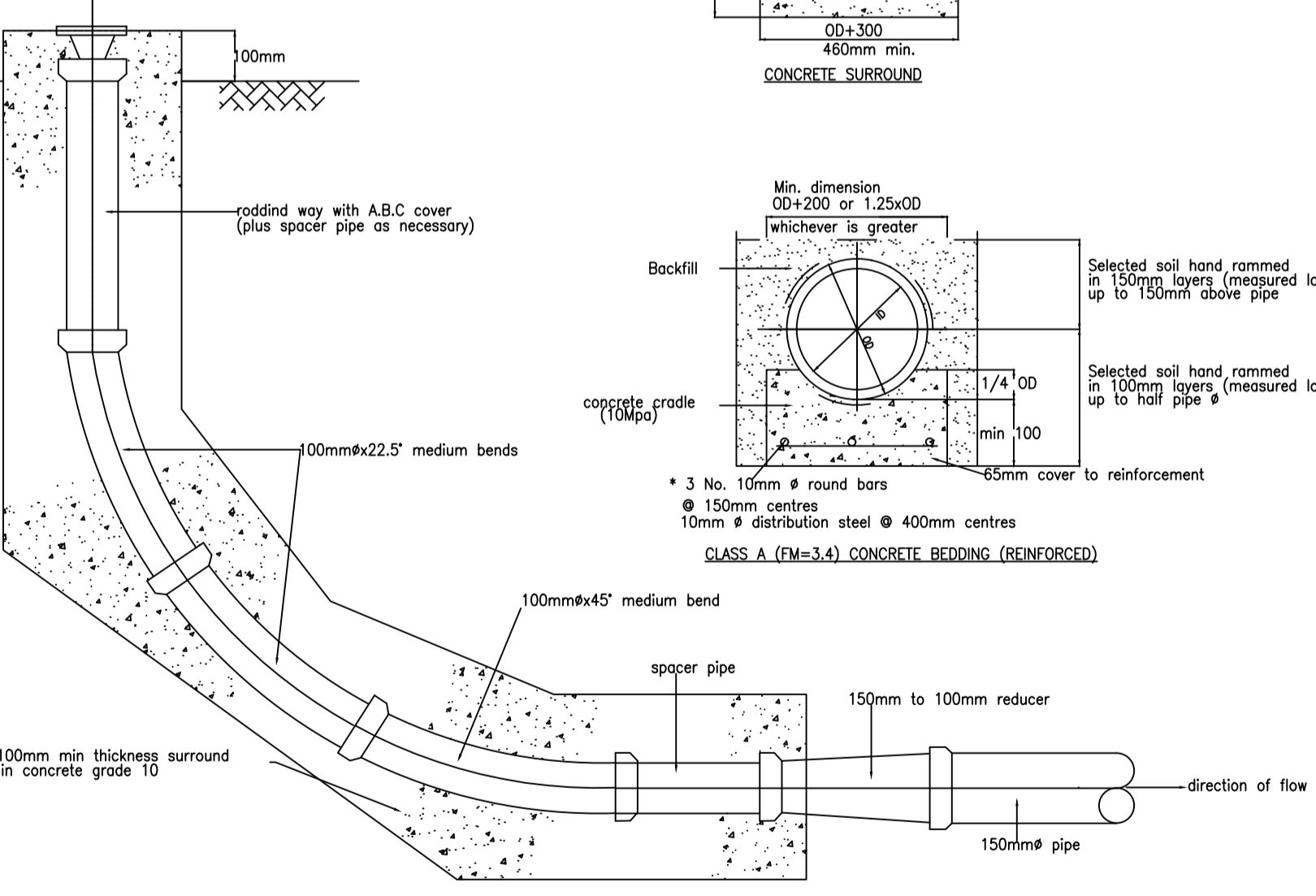
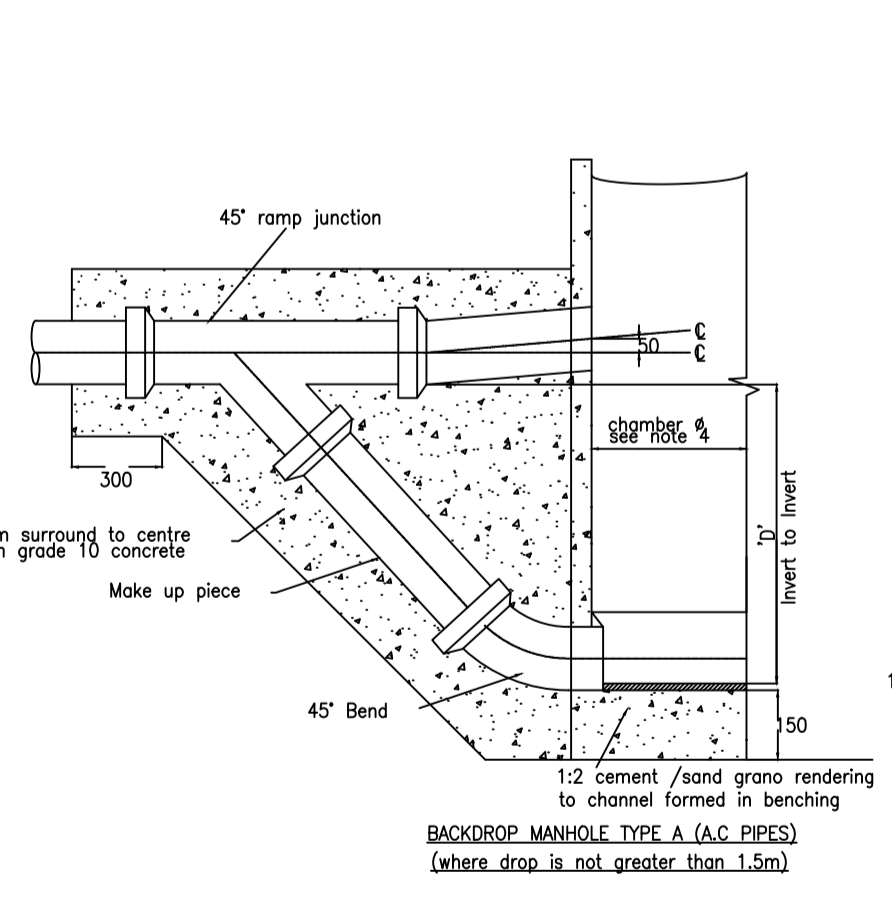
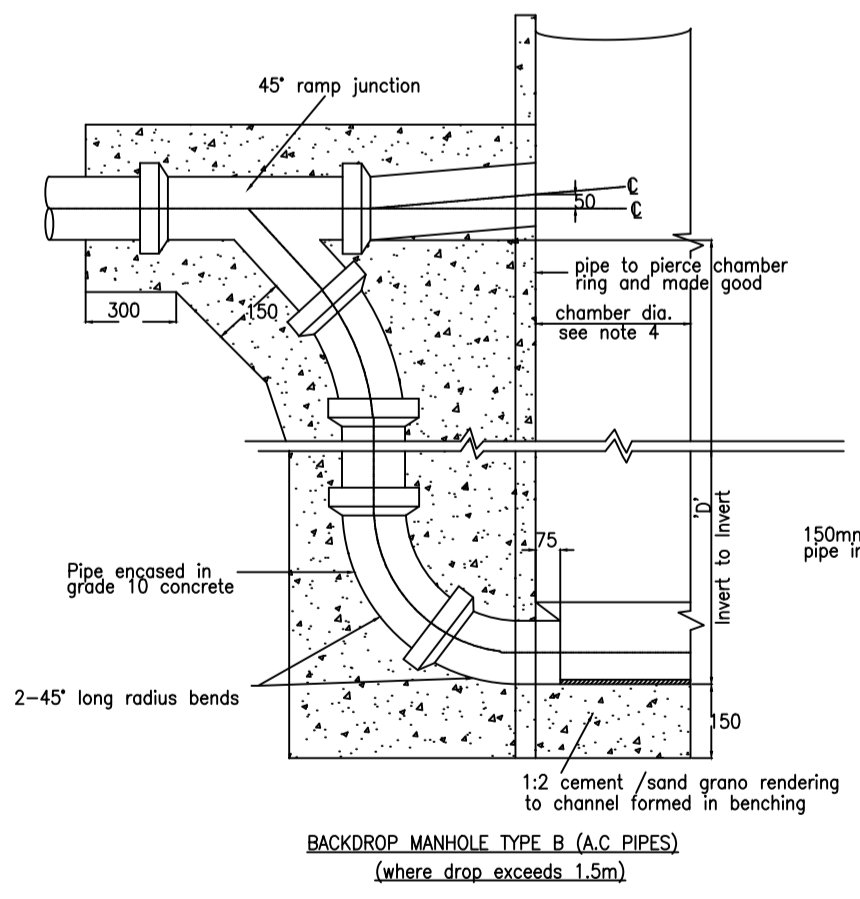
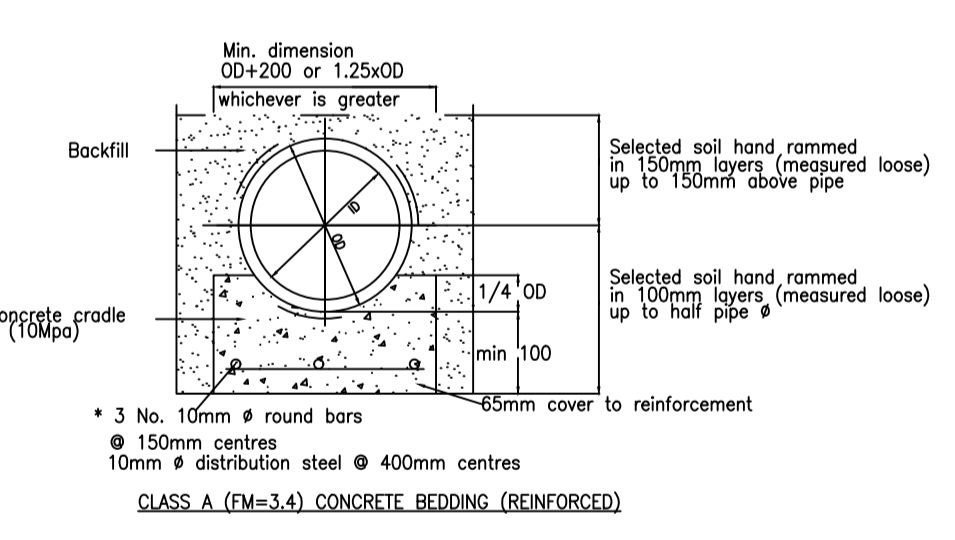
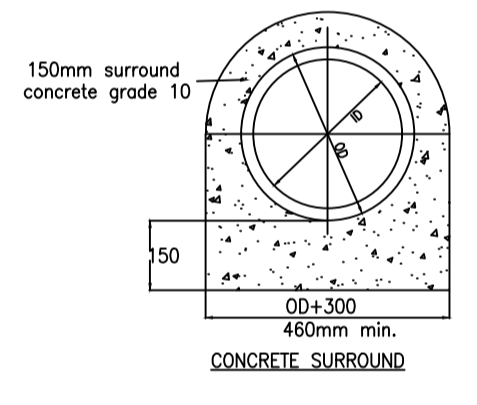
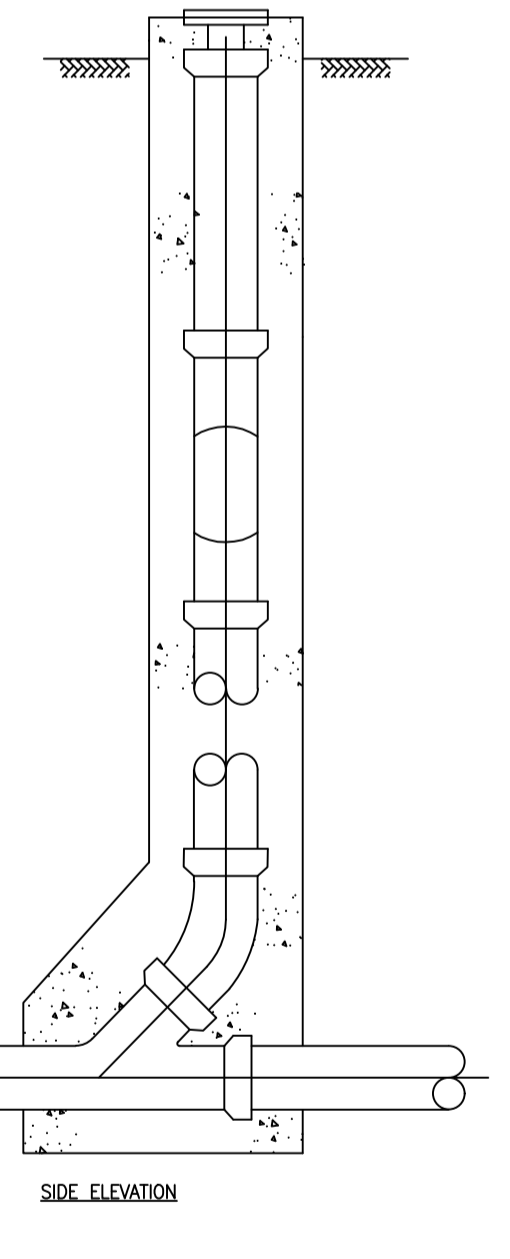


TYPICAL ARRANGEMENTS OF CHANNELS IN MANHOLE FLOORS
Benching and grono finish similar to standard Manhole Crowns of Branch sewers are to be level with the crown of the main channel unless the Engineer specifically directs otherwise. Medium levels to be used wherever possible.



DEEP CONNECTION



NOTES:	AMENDMENT	Description:

Ministry of Local Government,
Public Works and National Housing
P.O. Box CY7755, Causeway
Zimbabwe

Arch Eng	V.D	Director Eng	H.Hungwe	Ministry	MINISTRY OF FINANCE	Centre	MUTARE
Designed	L.M	Branch Head	E.N	Title	FORBES BORBER POST STAFF COTTAGES		
Drawn	L.M	Scale	N.T.S	Description	STANDARD SEWER DETAILS FOR STAND 7353		
Checked	E.M	Date	Mar 2022			G.P. No	Proj
				Telephone 04 700811			