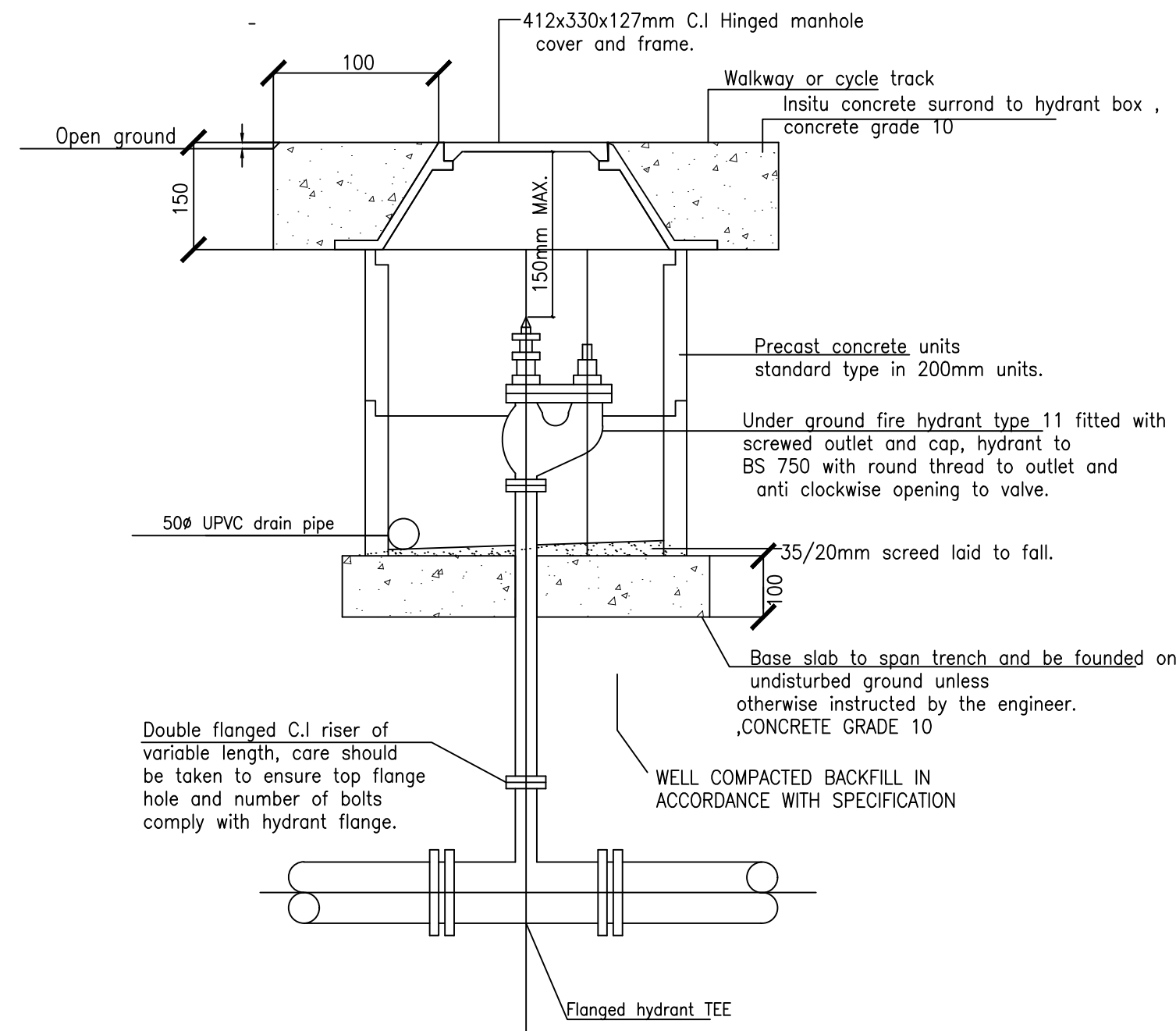
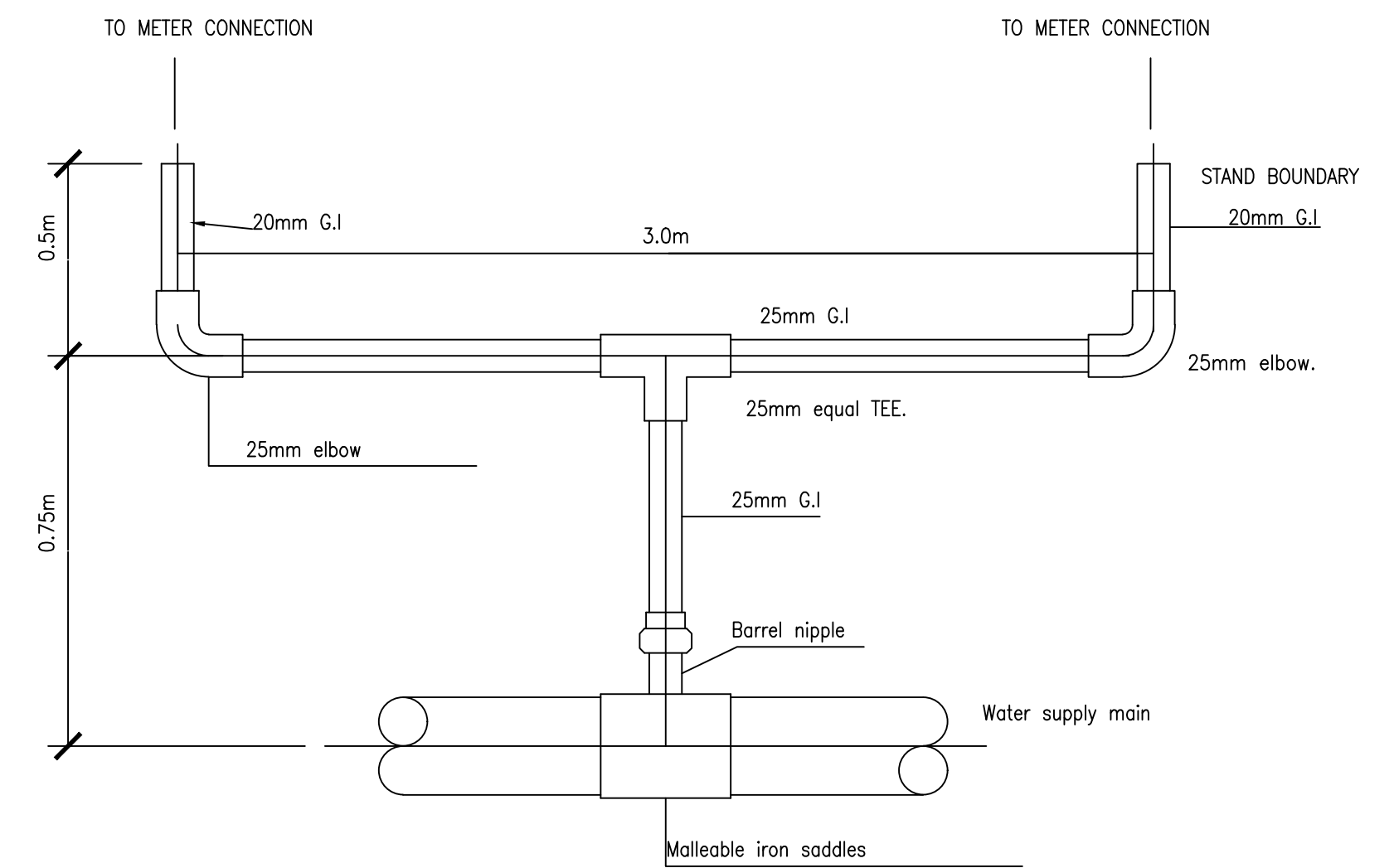


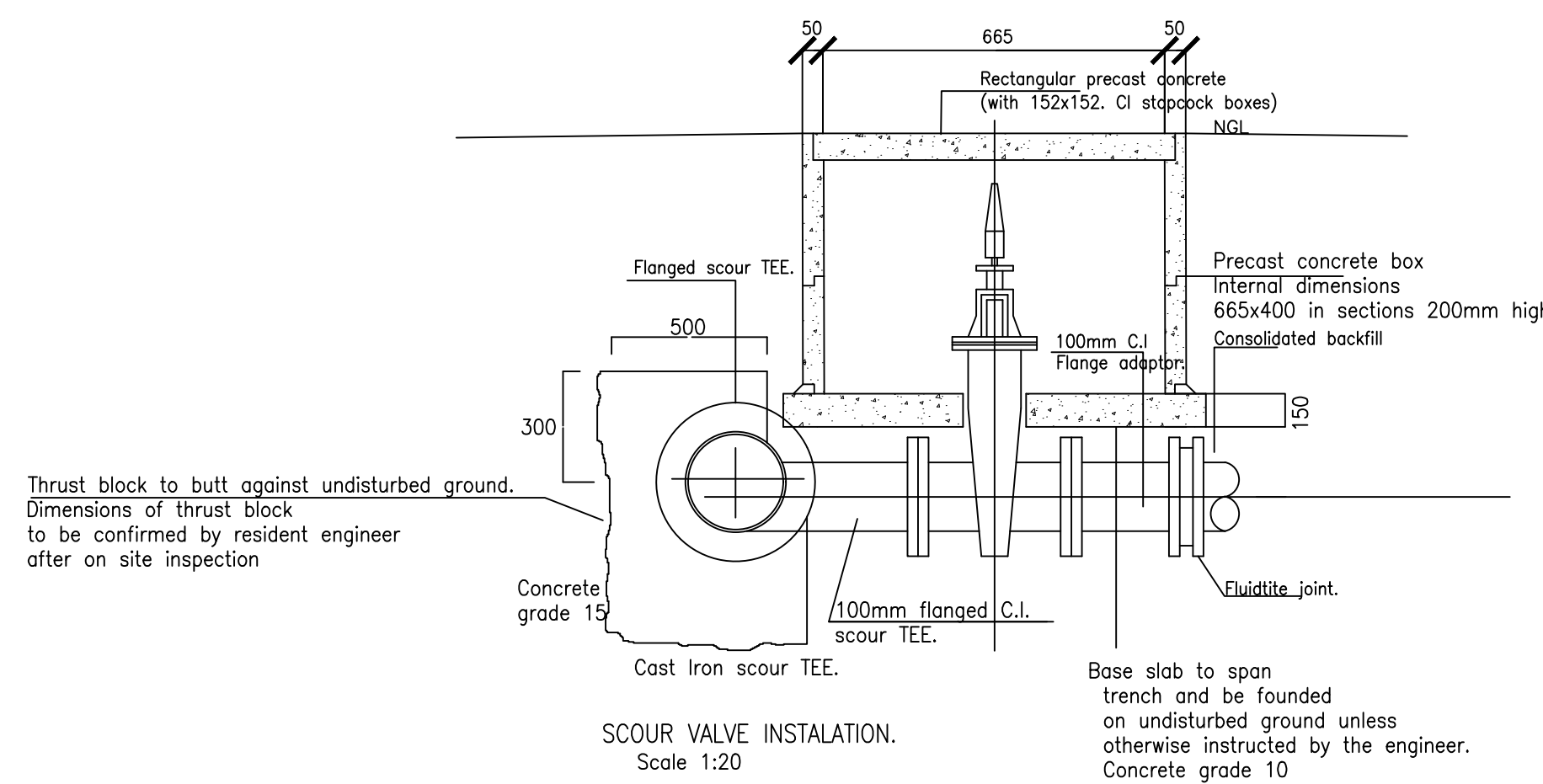
GATE VALVE INSTALLATION AND BOX
(MAINS up to 300mm)



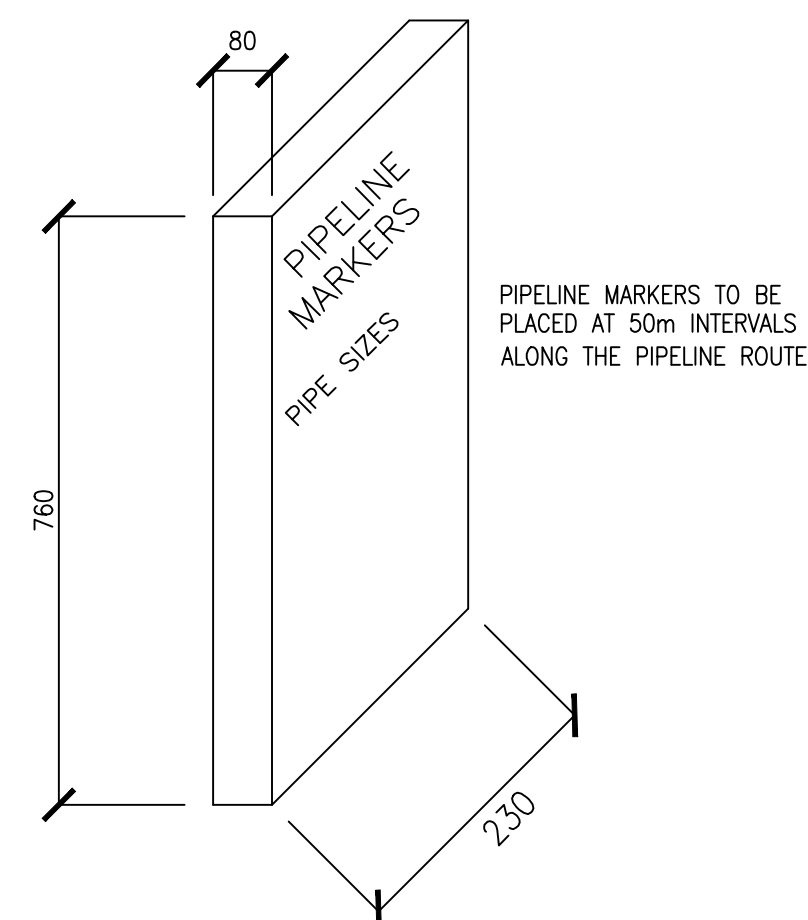
FIRE HYDRANT AND BOX DETAILS



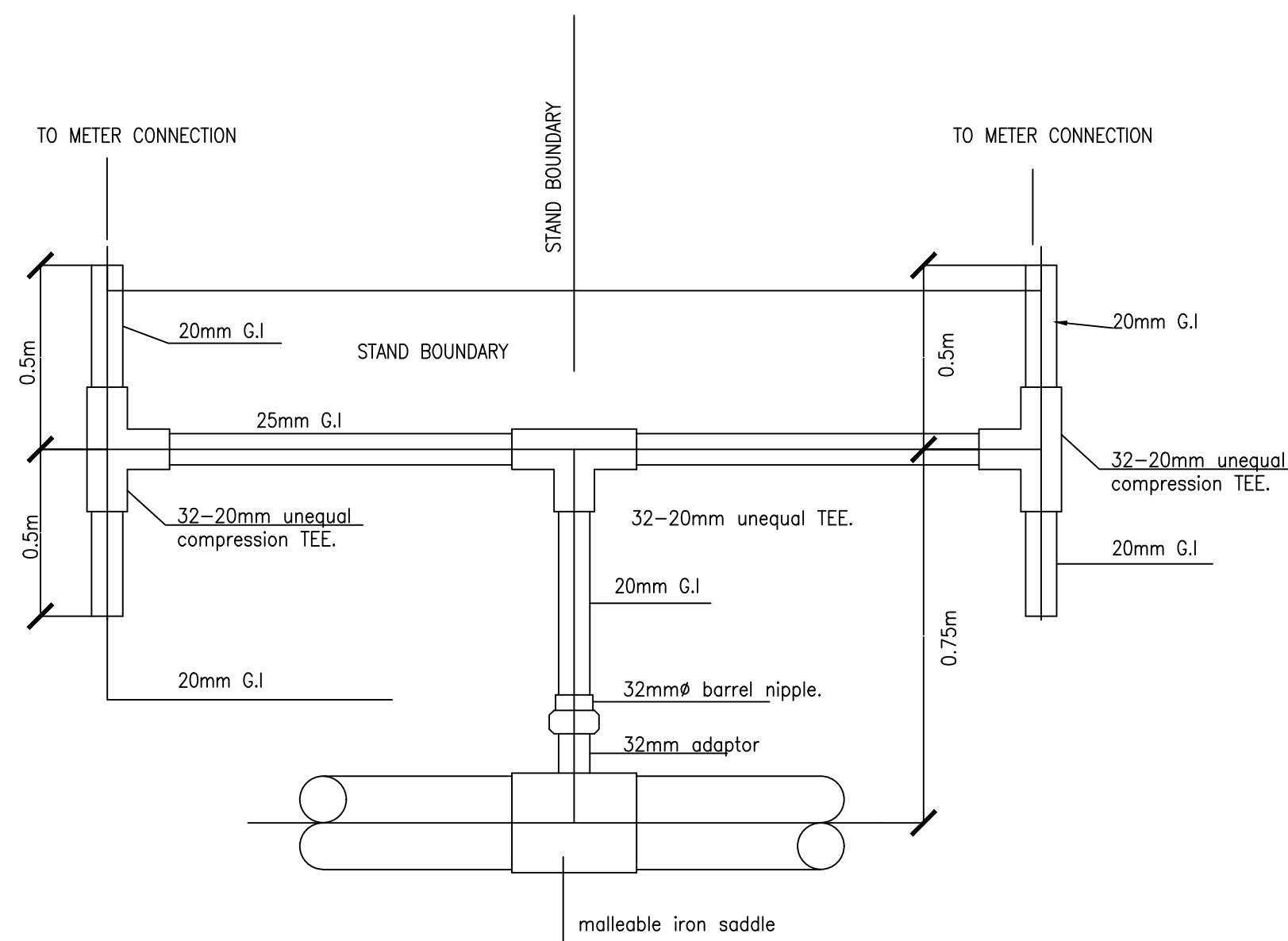
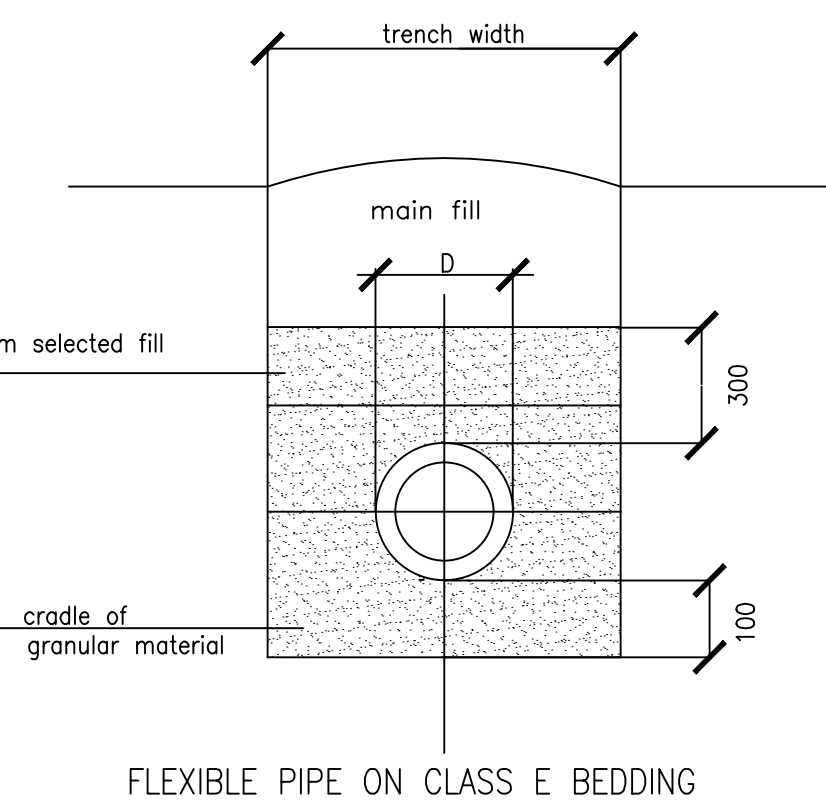
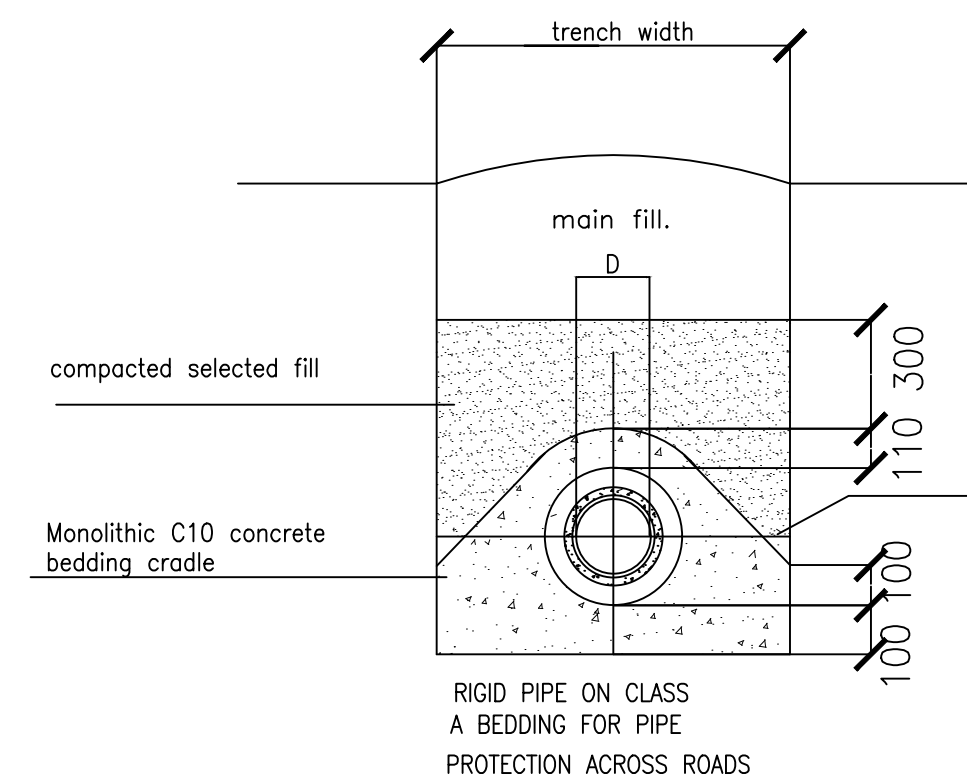
TWO WAY CONNECTION TO HOUSES



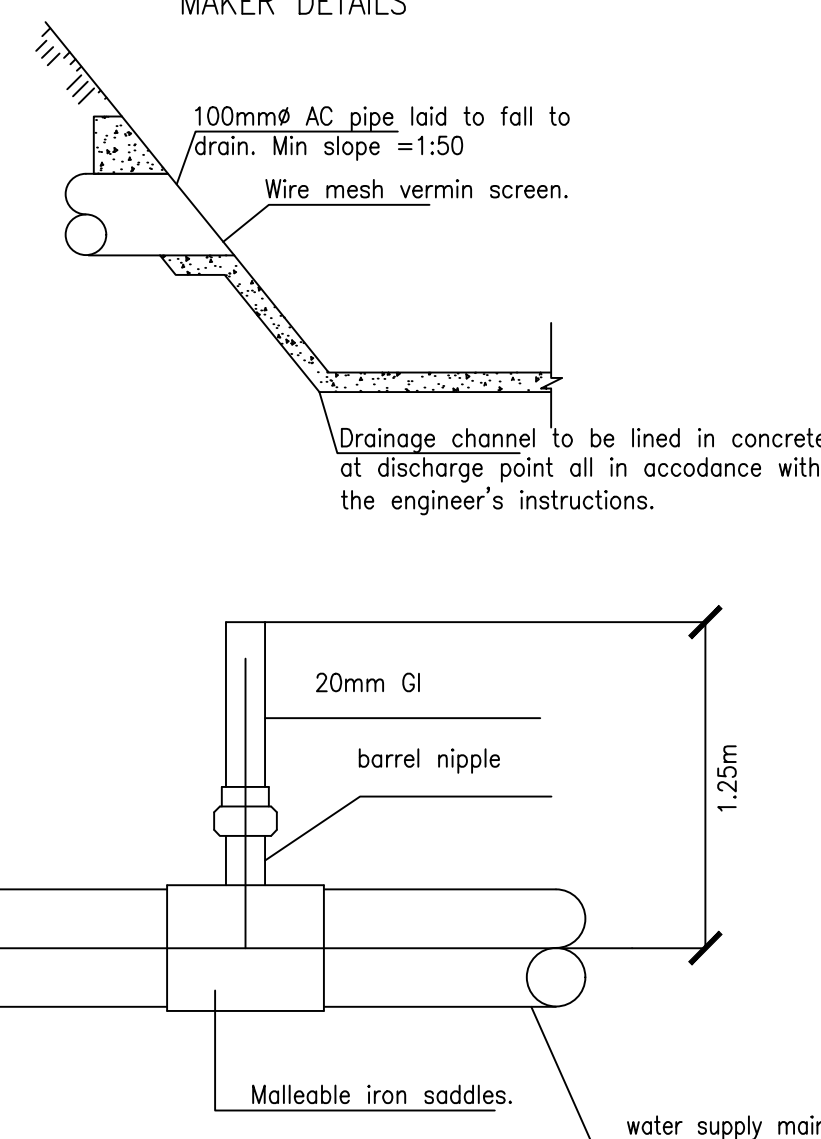
SCOUR VALVE INSTALLATION.
Scale 1:20



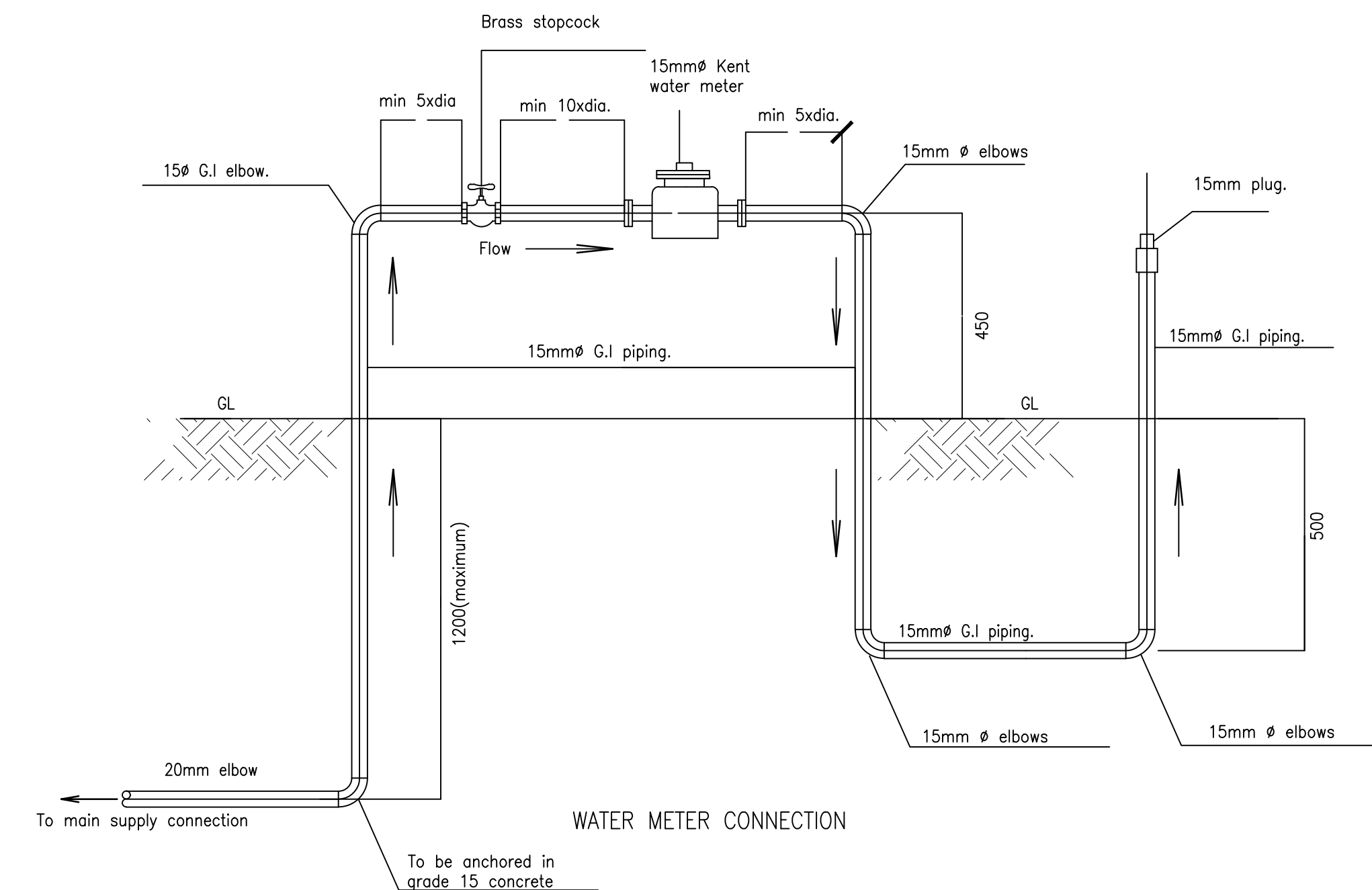
PRECAST CONCRETE PIPELINE
MAKER DETAILS



FOUR WAY CONNECTION TO HOUSES



ONE WAY STAND CONNECTION



WATER METER CONNECTION

NOTES:

AMENDMENT	Description :



Ministry of Local Government,
Public Works and National Housing
P.O. Box CY7755 , Causeway
Zimbabwe

Arch Eng	A.S	Director Eng	H.Hungwe
Designed	L.M	Branch Head	E.N
Drawn	L.M	Scale	N.T.S
Checked	E.M	Date	March 2022
Telephone 04 700811			

Ministry	MINISTRY OF FINANCE	Centre	MUTARE
Title	FORBES BORBER POST STAFF COTTAGES		
Description	WATER STANDARD DETAILS		
G.P. No		Proj	