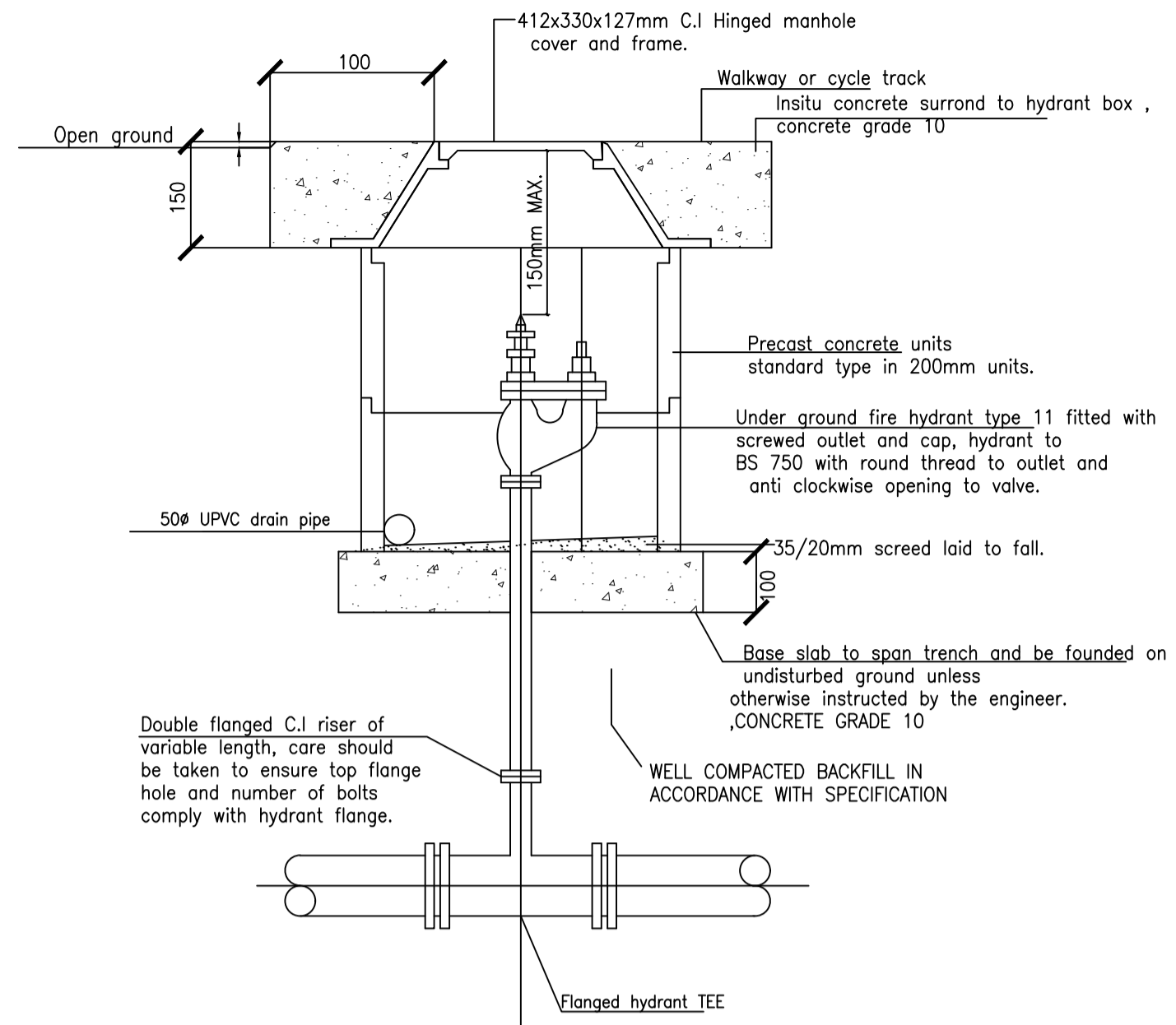
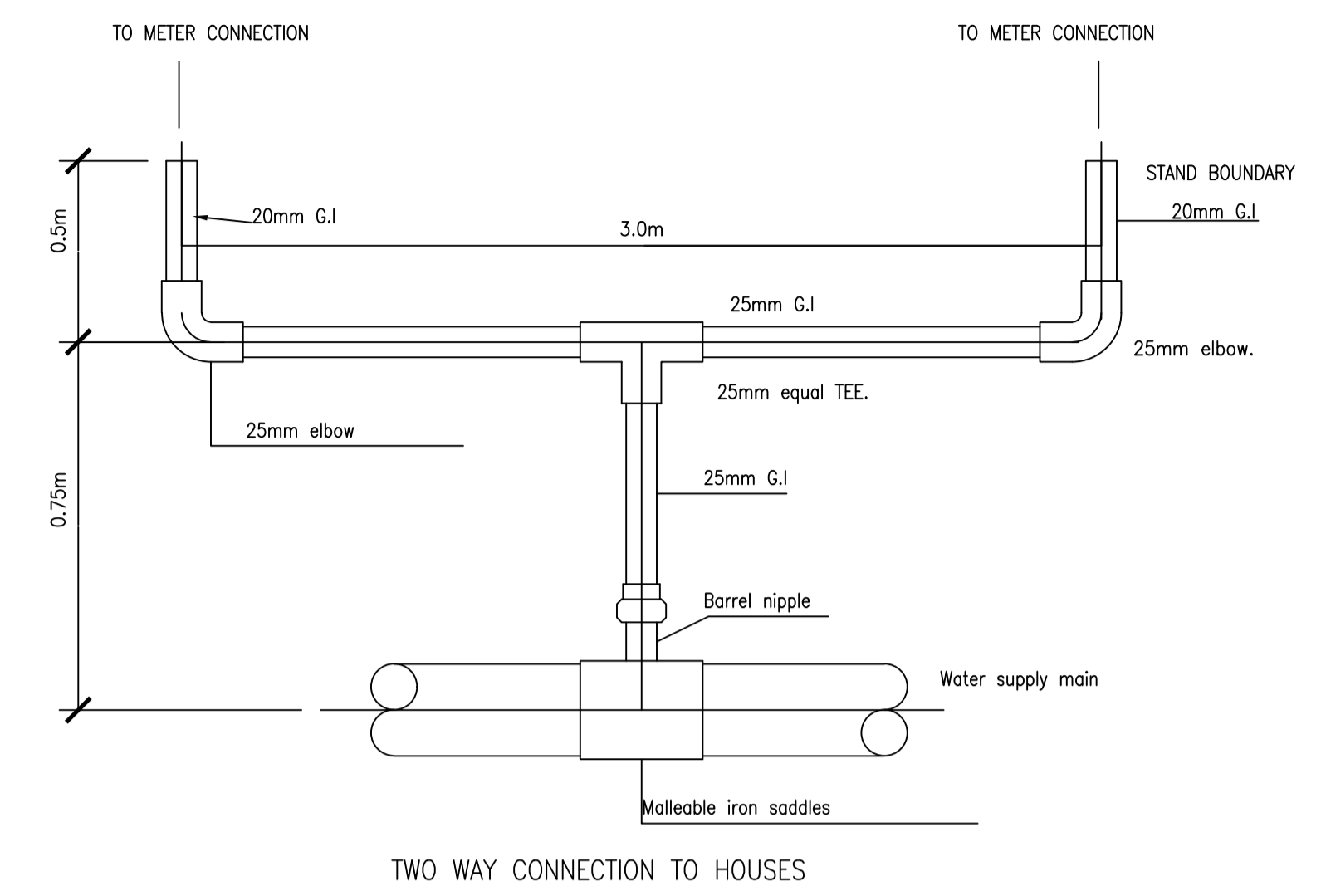


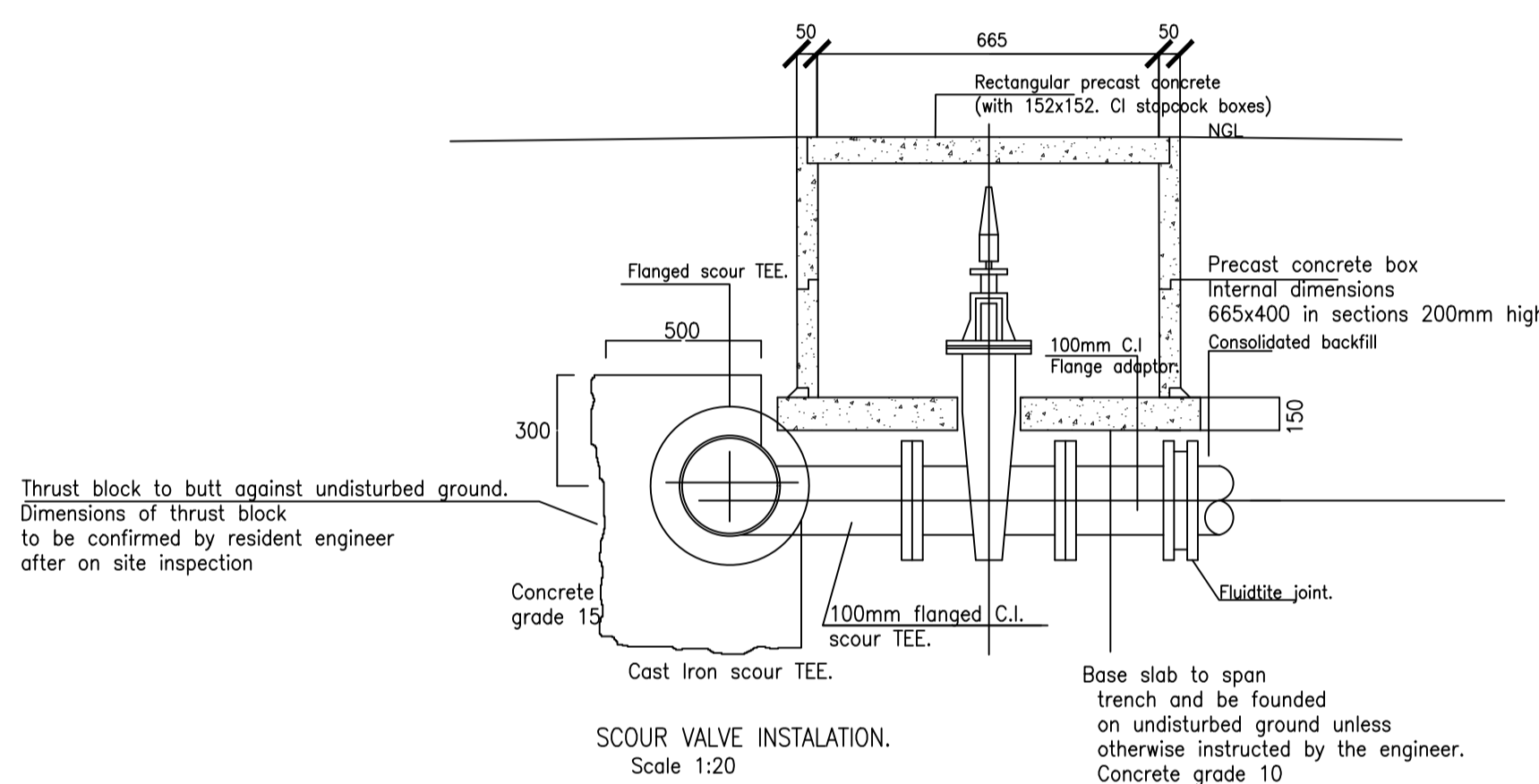
GATE VALVE INSTALLATION AND BOX  
(MAINS up to 300mm)



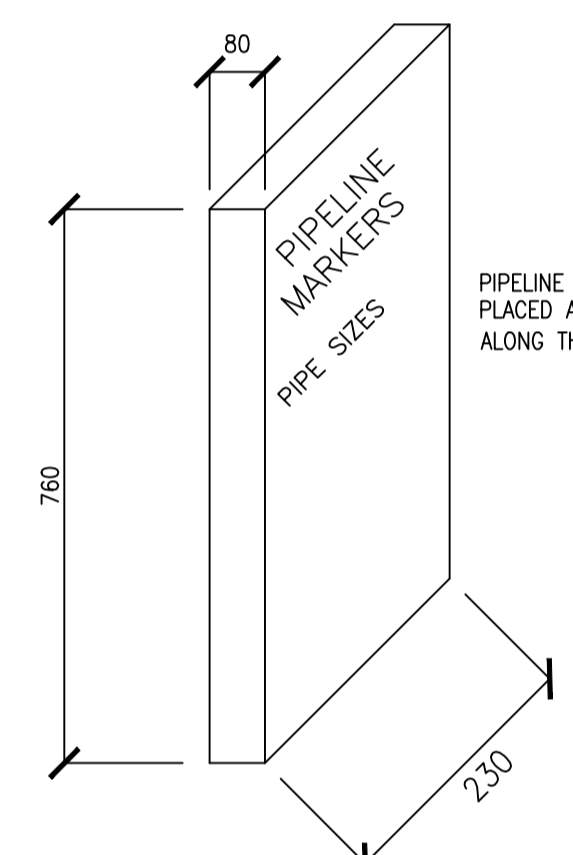
FIRE HYDRANT AND BOX DETAILS



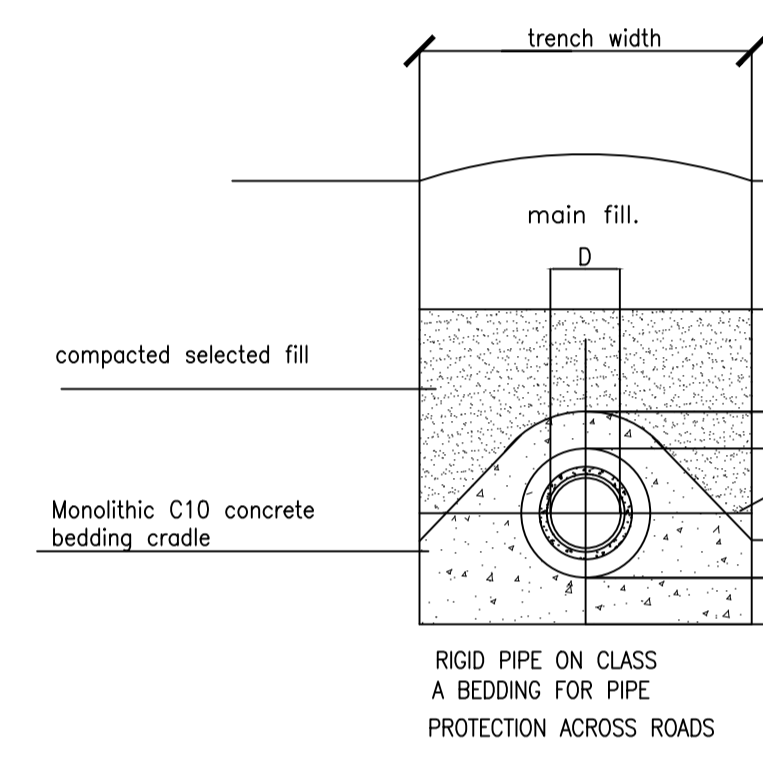
TWO WAY CONNECTION TO HOUSES



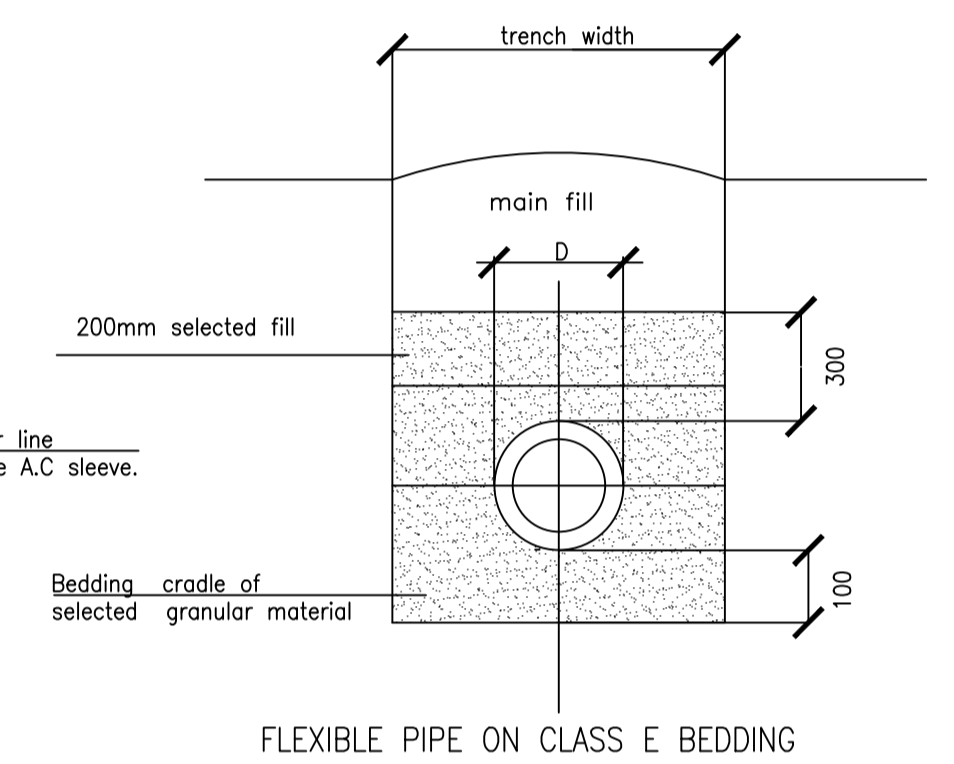
SCOUR VALVE INSTALLATION.  
Scale 1:20



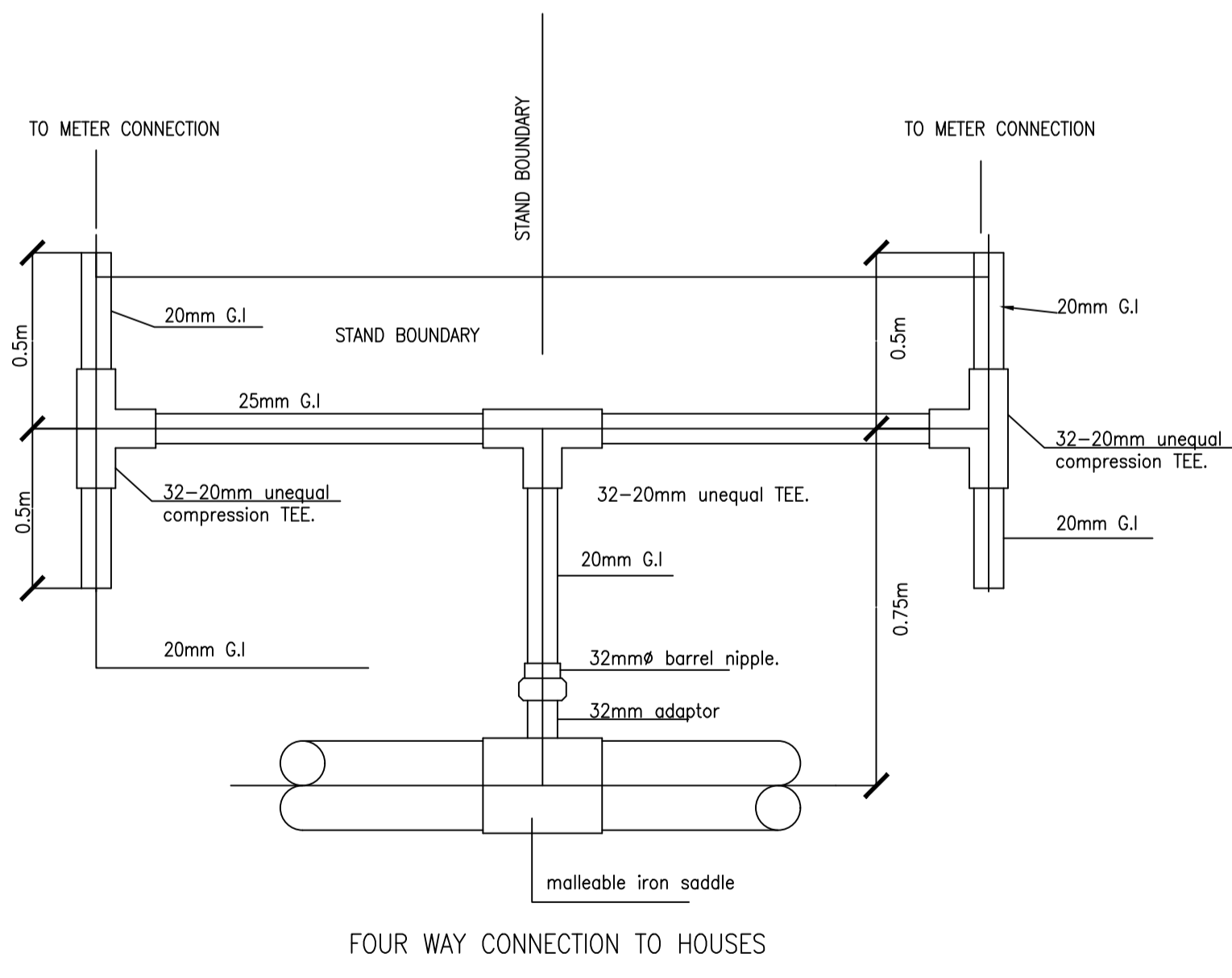
PRECAST CONCRETE PIPELINE MAKER DETAILS



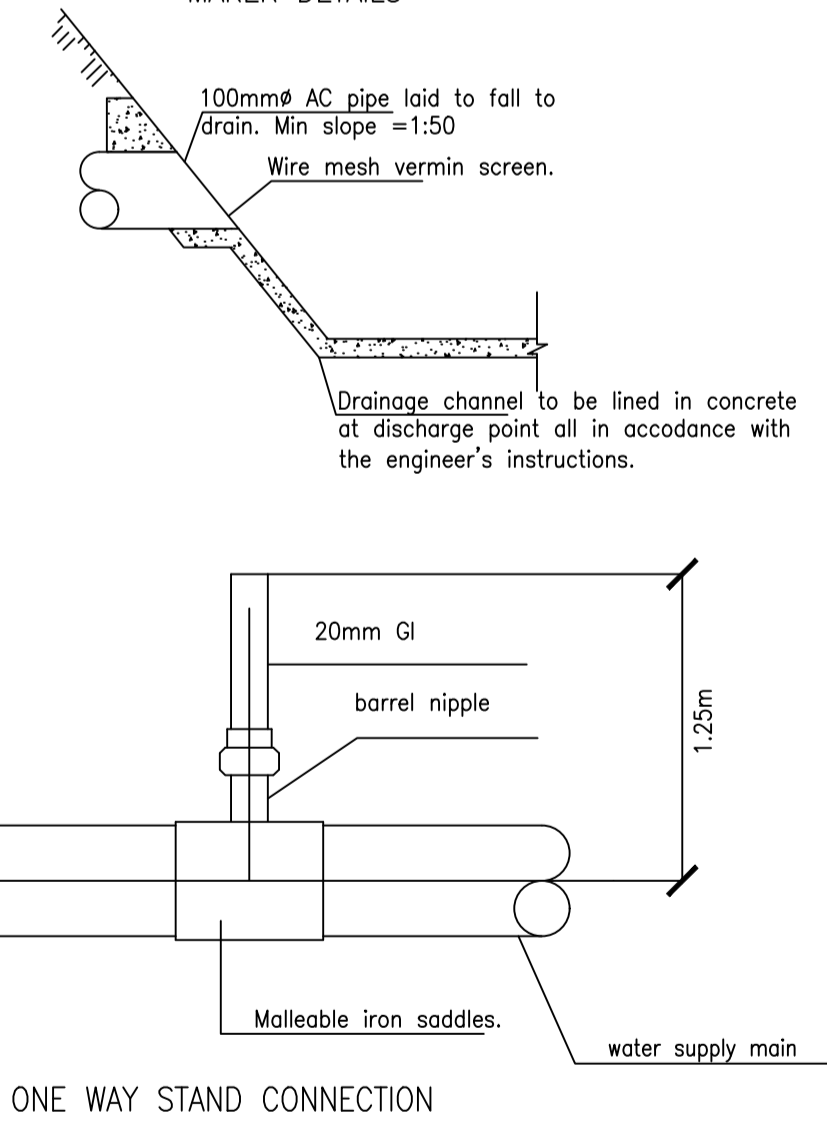
RIGID PIPE ON CLASS A BEDDING FOR PIPE PROTECTION ACROSS ROADS



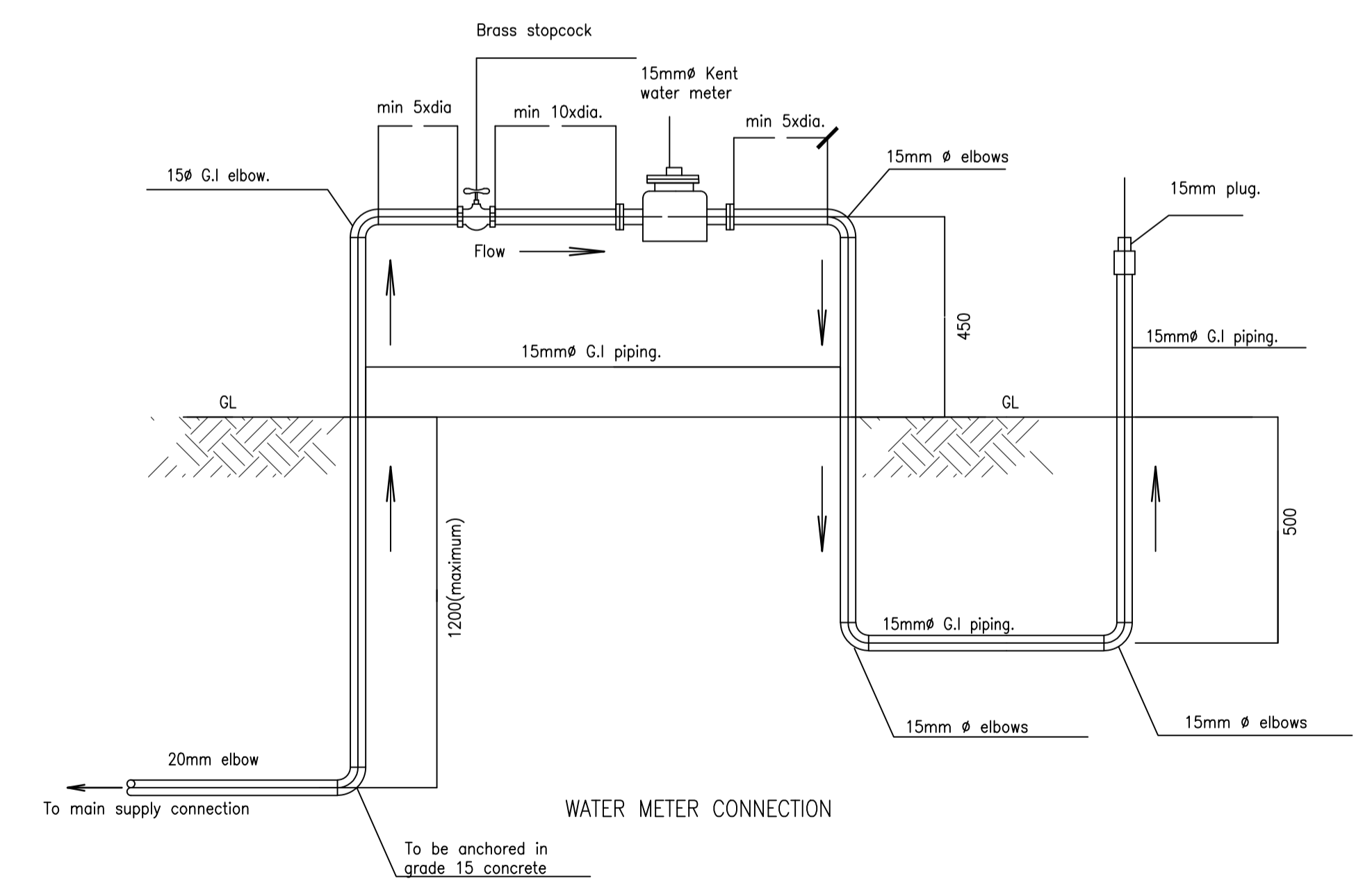
FLEXIBLE PIPE ON CLASS E BEDDING



FOUR WAY CONNECTION TO HOUSES



ONE WAY STAND CONNECTION



WATER METER CONNECTION

NOTES:

AMENDMENT	Description

Ministry of Local Government,  
Public Works and National Housing  
P.O. Box CY7755 , Causeway  
Zimbabwe



Arch Eng	V.D	Director Eng	H.Hungwe	Ministry	MINISTRY OF FINANCE	Centre	MUTARE
Designed	L.M	Branch Head	E.N	Title	FORBES BORBER POST STAFF COTTAGES		
Drawn	L.M	Scale	1:190	Description	STANDARD WATER DETAILS		
Checked	E.M	Date	Mar 2022	G.P. No		Proj	
Telephone 04 700811							