

ZIMRA RFQ No: 494/2021

**SUPPLY OF 12 x SHOWER CUBICLES FOR CHIRUNDU BORDER POST
(Re-Tender)**



ZIMRA
Zimbabwe Revenue Authority

CATEGORY: CONSTRUCTION AND RELATED PRODUCTS INCLUDING ELECTRICAL AND PLUMBING

DATE OF ISSUE: 01 November 2021

CLOSING DATE: 04 November 2021 AT 1000 HOURS

To: Suppliers:

Please provide your Price Quotation for the **supply of 12 x Shower Cubicles for Chirundu OSBP Staff Cottages (Re-tender)**.

1. Shown on the attached Specification of Goods sheet.
2. Please provide the Price Quotation on **your official signed and dated letterhead**.
3. The Procurement Management Unit (PMU) must receive your Price Quotation by **04 November 2021 at 1000hrs**.
4. Any bid received by the Purchaser after the deadline for submission of bids shall be declared late and rejected.
5. Unless otherwise stated, bidders must offer for all items & quantities shown on the specification sheet and provide a Grand Total price.
6. Prices should be quoted in both USD and local currency as per SI 185 of 2020. Bidders should indicate whether they charge/ do not charge VAT on their prices.
7. **Bidders shall submit their bids electronically to rfqs@zimra.co.zw. Physical/Hard copy submissions will not be acceptable except for samples only. Kindly highlight the RFQ Number and Description on the subject of your email upon responding.**
8. An order/contract will be placed with the bidder who offers the lowest price quotation, which complies with the attached specifications and the conditions of this Request for Quotations.
9. Payment: 100% within 30 days of invoice date and receipt & acceptance of goods.
10. For further information, contact the undersigned on telephone no. +263242 773 040 or procurement@zimra.co.zw
11. Prospective bidders dealing with ZIMRA for the first time must attach the following documentation on submission:
 - Certificate of Incorporation, CR5 and CR6
 - Company Profile
 - Proof of registration with PRAZ
 - A Valid NSSA Certificate
12. **Bidders to quote their PRAZ Registration Number on their proposals and submit proof of Valid Certificate for the category they are participating, failure to which will result in automatic disqualification.**
13. Expected delivery period is 3 days from Purchase Order issue date. Bidders must state their delivery period and failure to deliver within the stated delivery timeline will result in cancellation of the Purchase Order and records will be kept and sent to PRAZ.
14. Award may be done on an item-by-item basis or total items whichever is economic to ZIMRA.

Signed: *J. Tarume* *1/11/21*
J. TARUME

PROCUREMENT MANAGER

--

SPECIFICATION OF GOODS SHEET

Item	Description of materials	Unit of Measure	Quantity	Unit Price	Total Price
	SHOWER CUBICLES				
2	Shower Cubicles and associated accessories. (As per specifications in Annexure 1 below)	No.	12		
Total cost of Goods, Ex-Factory					
Total cost of Freight/transport					
Value Added Tax					
Grand Total, DAP, ZIMRA Warehouse					
Currency					
Delivery Period: _____ weeks from receipt of order					

1. **ZIMRA SHALL VISIT YOUR PREMISES TO VIEW SAMPLES ON OFFER.**
2. **THE EXPECTED DELIVERY PERIOD IS 2-3 WEEKS FROM RECEIPT OF ORDER**

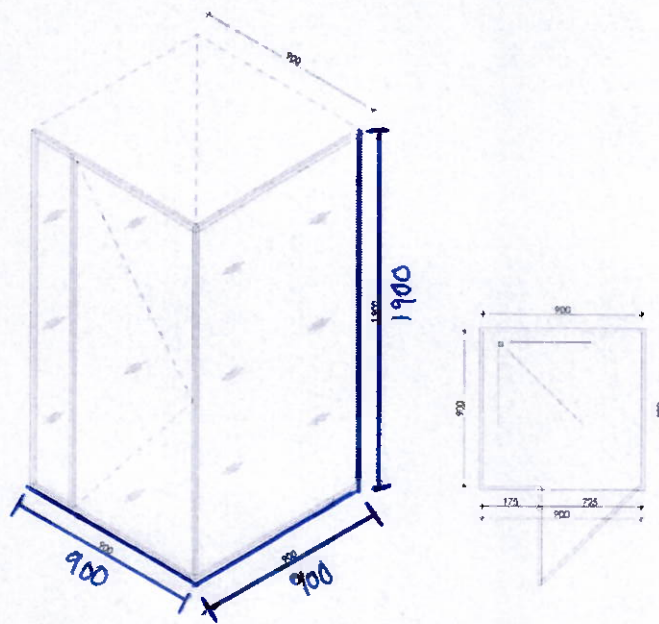
ANNEXURE 1

SHOWER CUBICLES & ASSOCIATED ACCESORIES SPECIFICATIONS

1) General Description

- Colour: Natural Anodized Aluminium
- Height: 1900mm
- Size: 900mmx900mm
- Glass: 6.38mm clear laminated glass

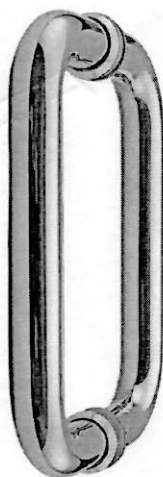
2) Shower Cubicle with hinged shower doors



3) Glass door cubicle hinge



4) Glassage Shower Cubicle Accessories Chrome Shower Door Handle



(To be signed by the firm)

Annex III

FORM OF CONTRACT AGREEMENT

THIS AGREEMENT number ____ made on _____, __, between
_____ (hereinafter called "the Purchaser") on the one part and
_____ (hereinafter called "the Supplier") on the other part.

WHEREAS the Purchaser has requested for quotation for **the supply and delivery of ---**
----- to be supplied by Supplier, viz. Contract _____, (hereinafter called "Contract") and
has accepted the Quotation by the Supplier for the supply of goods under Contract at the
sum of _____ [in words]
(_____) [in figures] hereinafter called "the Contract Price".

NOW THIS AGREEMENT WITNESSETH AS FOLLOWS:

1. The following documents shall be deemed to form and be read and construed as part of this agreement, viz:
 - a) Copy of Quotation including Technical and Price Schedule
 - b) Schedule of Requirement
2. Taking into account payments to be made by the Purchaser to the Supplier as hereinafter mentioned, the Supplier hereby concludes an Agreement with the Purchaser to execute and complete the supply of goods under the Contract and remedy any defects therein in conformity with the provisions of the Contract.
3. The Purchaser hereby covenants to pay, in consideration of the acceptance of Contract, supply and delivery of the goods and remedying of defects therein, the Contract Price in accordance with Payment Conditions prescribed by the Contract.

IN WITNESS whereof the parties hereto have executed the Contract under the Laws of Zimbabwe on the date indicated above.

Signature and seal of the Purchaser:

Signature and seal of the Supplier:

For and on behalf of

For and on behalf of

Name of Authorized Representative
